
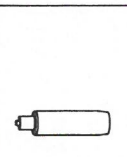


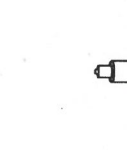
















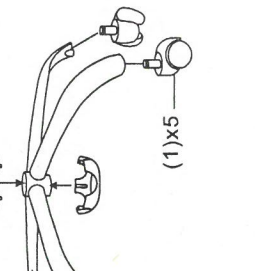
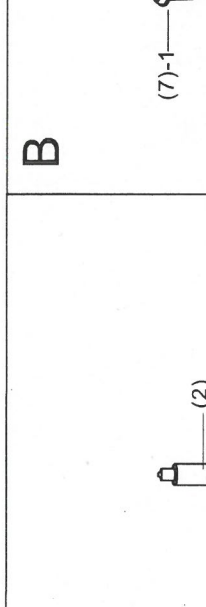
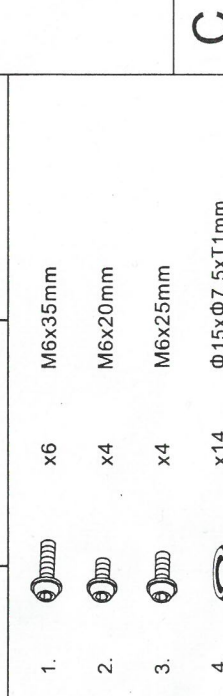
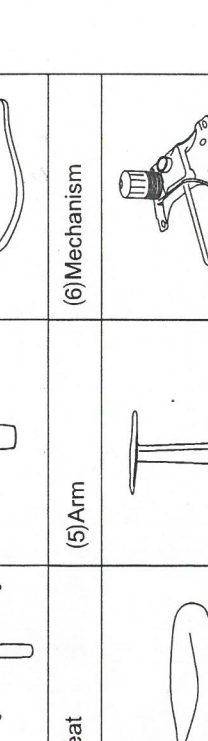


Assembling Instruction

43205

<p>(1) Caster & Base x5</p> 	<p>(2) Gas Column</p> 	<p>(3) Back</p> 																				
<p>(4) Seat</p> 	<p>(5) Arm</p> 	<p>(6) Mechanism</p> 																				
<p>(7)</p> <table border="0"> <tr> <td>1.</td> <td></td> <td>x6</td> <td>M6x35mm</td> </tr> <tr> <td>2.</td> <td></td> <td>x4</td> <td>M6x20mm</td> </tr> <tr> <td>3.</td> <td></td> <td>x4</td> <td>M6x25mm</td> </tr> <tr> <td>4.</td> <td></td> <td>x14</td> <td>Φ15xΦ7.5xT1mm</td> </tr> <tr> <td>5.</td> <td></td> <td>x1</td> <td>5mm</td> </tr> </table>			1.		x6	M6x35mm	2.		x4	M6x20mm	3.		x4	M6x25mm	4.		x14	Φ15xΦ7.5xT1mm	5.		x1	5mm
1.		x6	M6x35mm																			
2.		x4	M6x20mm																			
3.		x4	M6x25mm																			
4.		x14	Φ15xΦ7.5xT1mm																			
5.		x1	5mm																			
<p>A</p> 			<p>B</p> 																			
<p>C</p> 			<p>D</p> 																			
<p>E</p> 