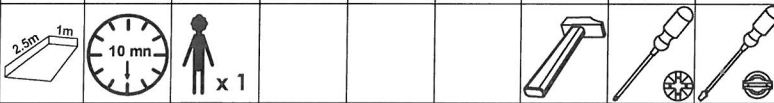
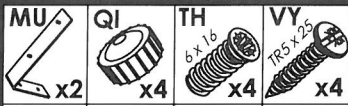
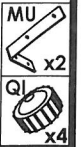
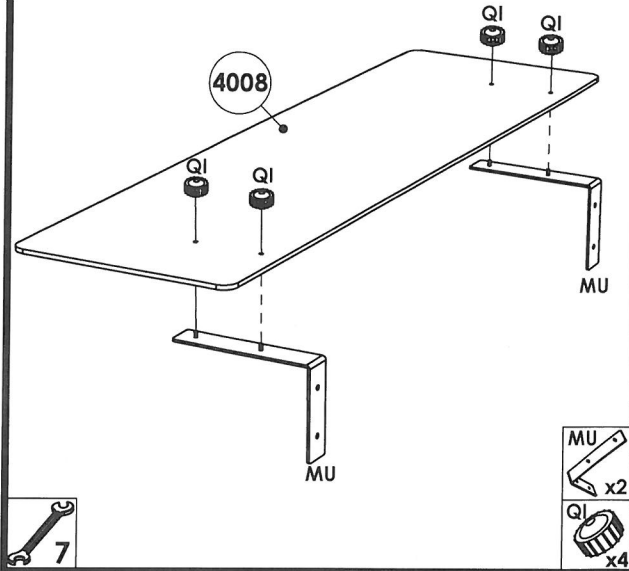
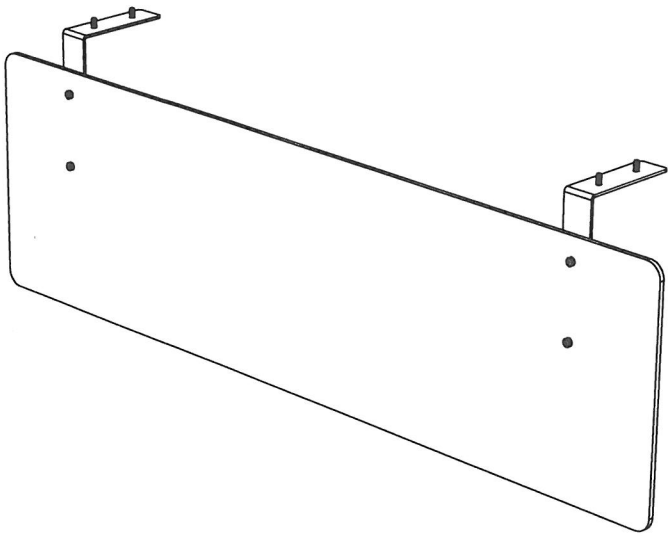
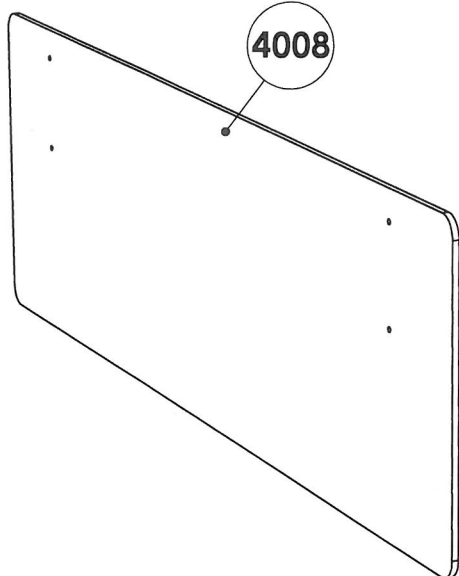
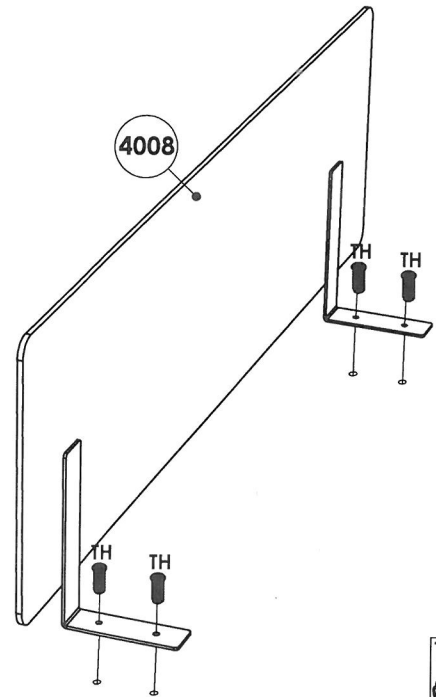


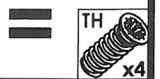
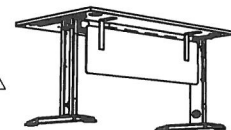
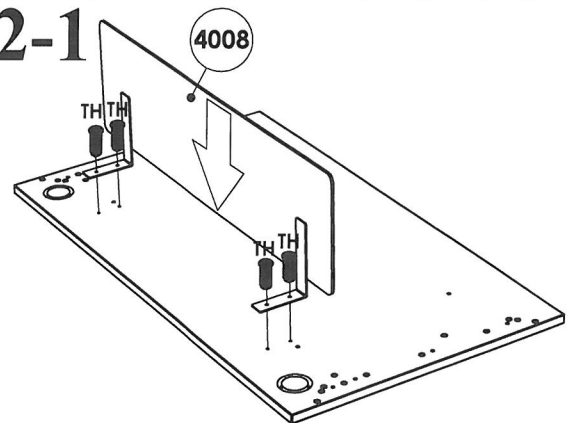
# 1



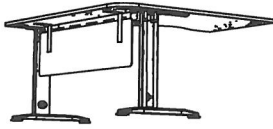
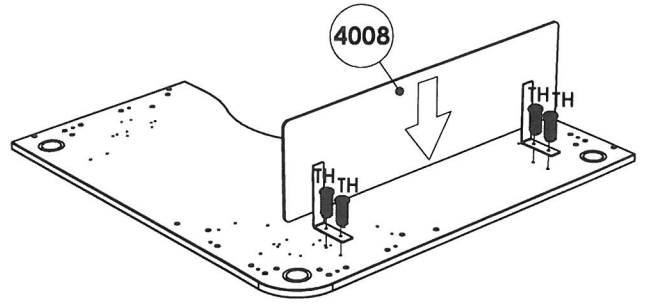
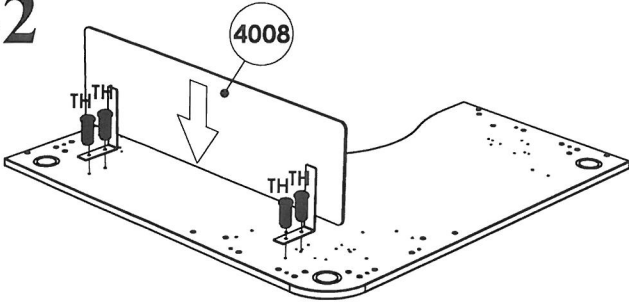
# 2



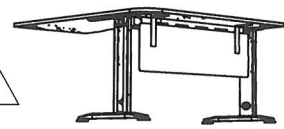
# 2-1



2-2



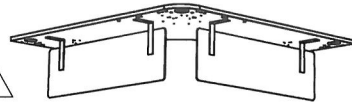
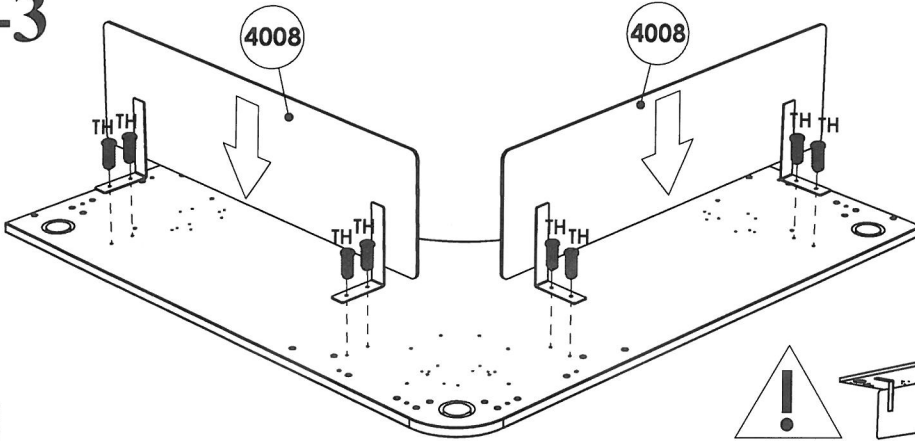
= OU



=



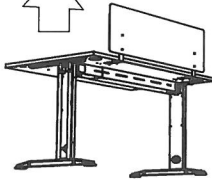
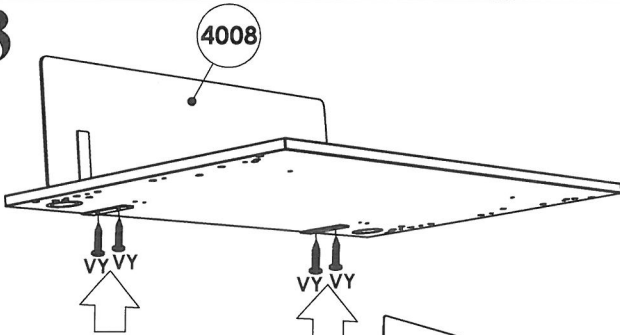
2-3



=



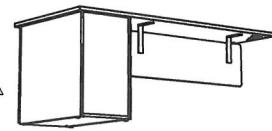
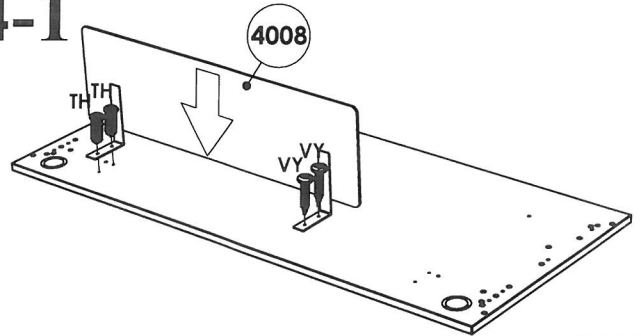
3



=



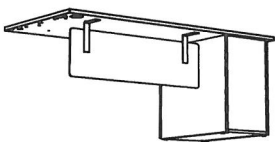
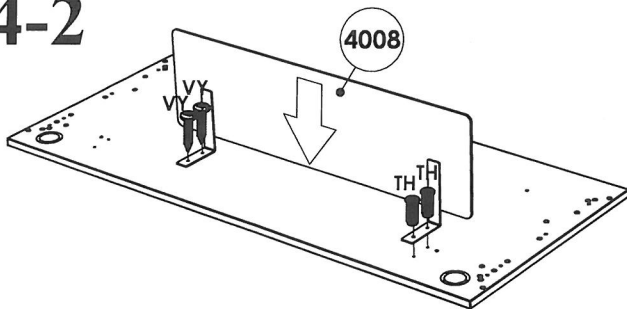
4-1



=



4-2



=

