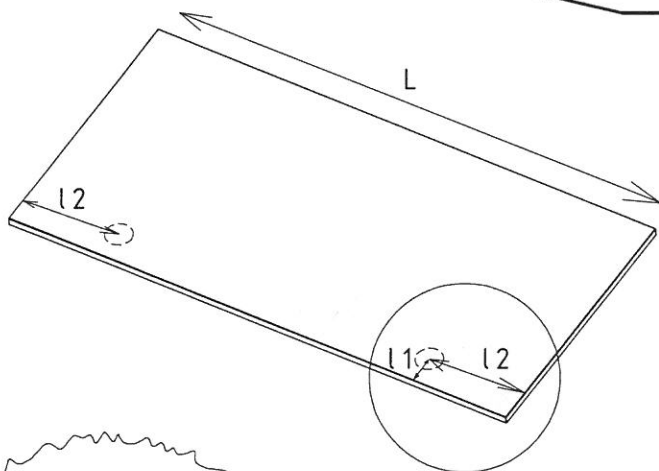
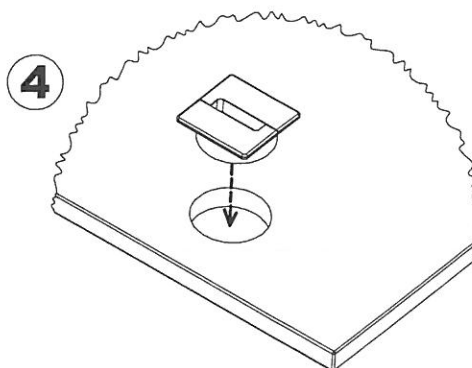
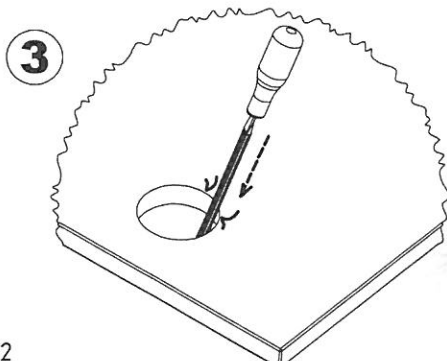
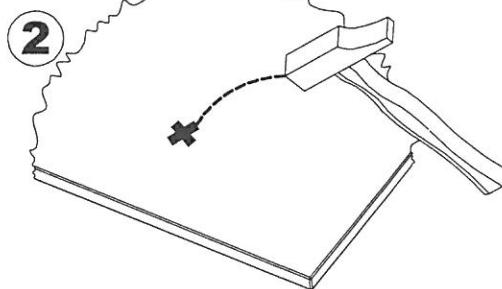
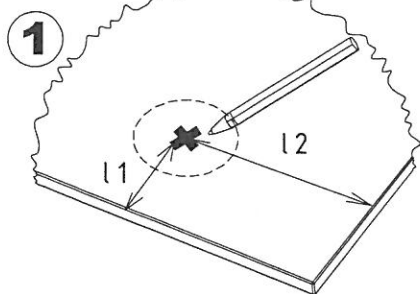


A

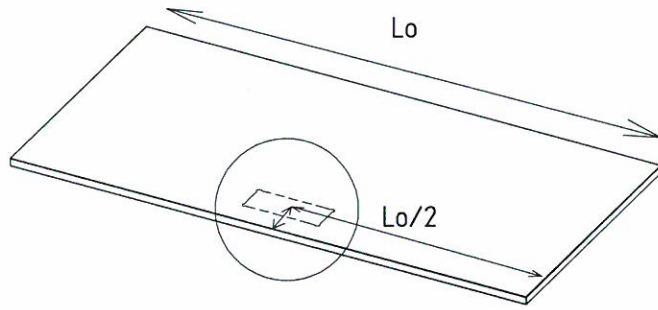


L	l1	l2
1200 mm	90mm	150mm
1400 ←→ 2000mm	90mm	300mm

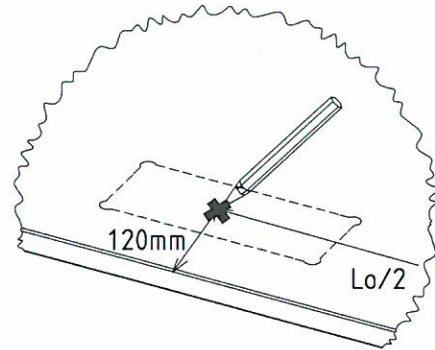


feuille: 1/2

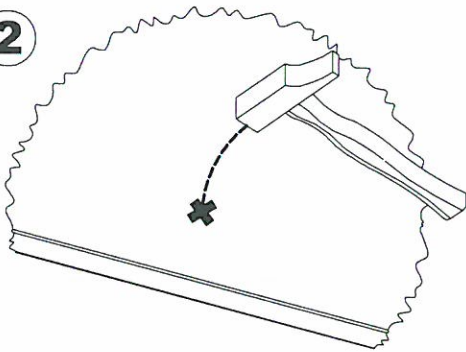
B



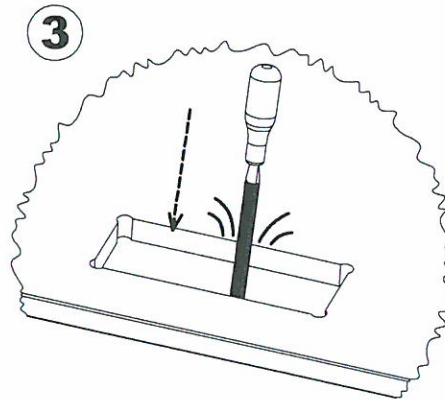
1



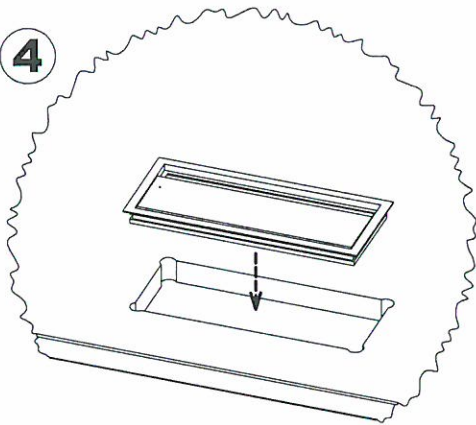
2



3



4



5

