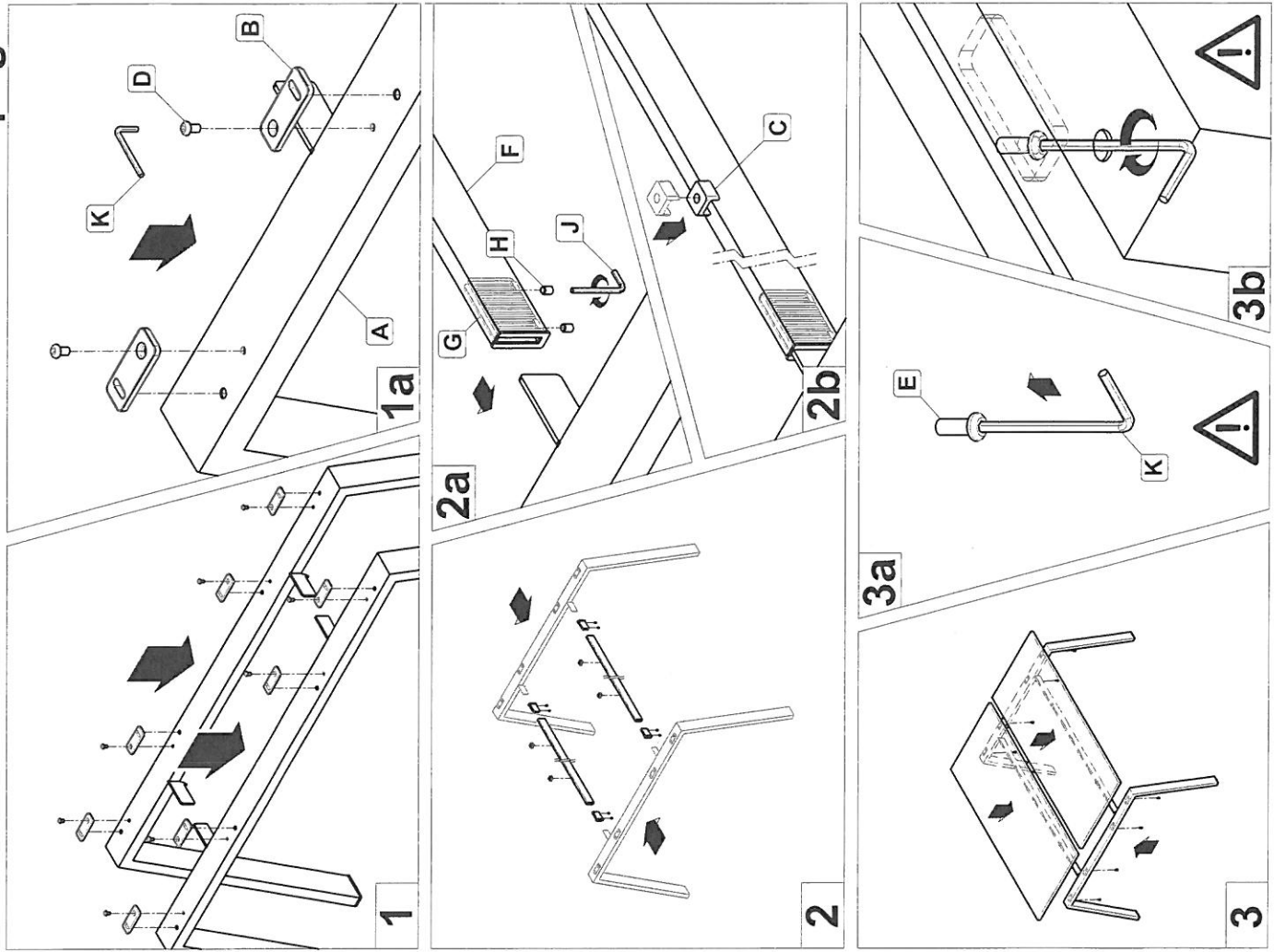
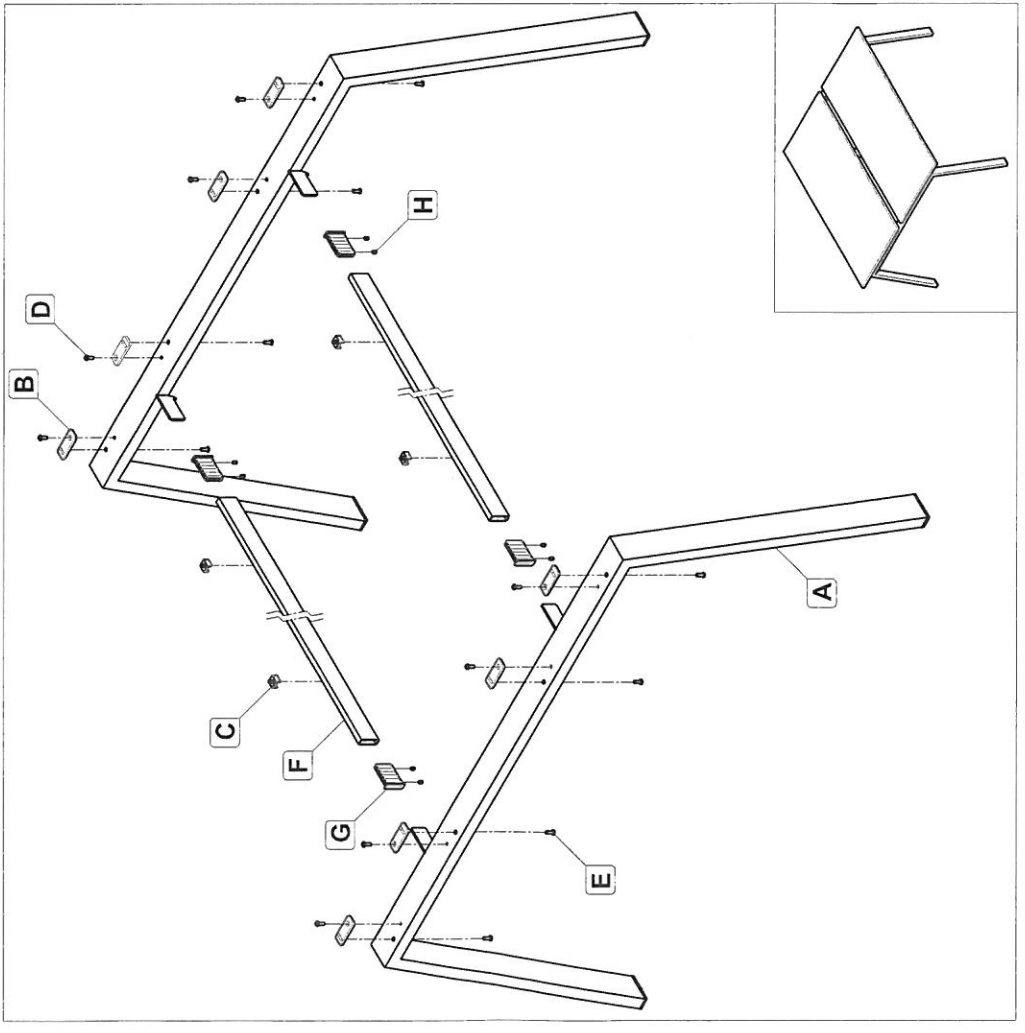
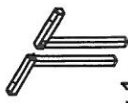
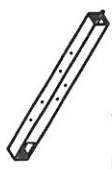




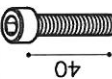

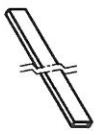




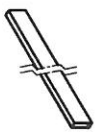






A x 2	B x 4	C x 2	D x 8	M6 Ex 8	F x 2	G x 2	H x 8	3mm	K
				M6				4mm	



	A x 1		B x 1		C x 2		D x 4		E x 2
	F x 16		G x 2		H 6mm				
	M6		M8						
	J x 2		K x 2		L x 8		M6		N 3mm

	J x 2		K x 2		L x 8		M6		N 3mm
---	--------------	---	--------------	---	--------------	---	-----------	---	--------------

